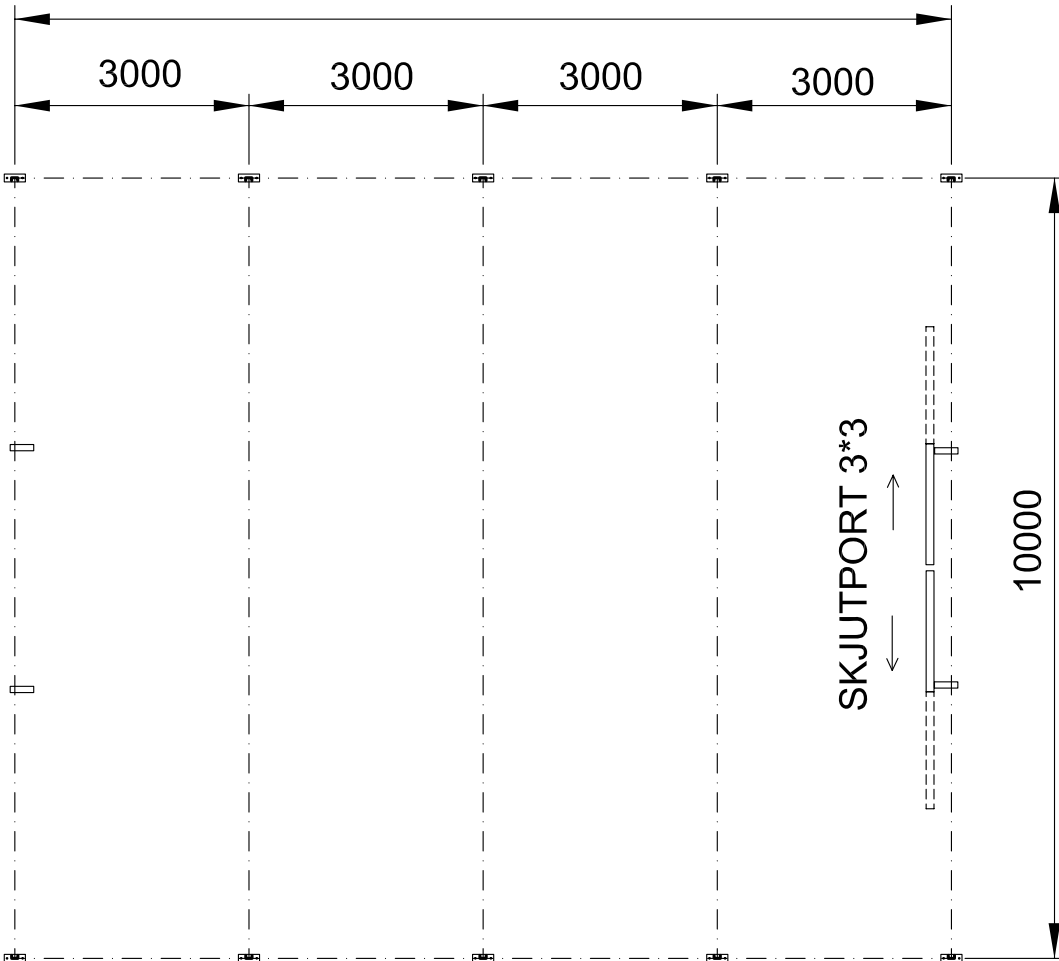
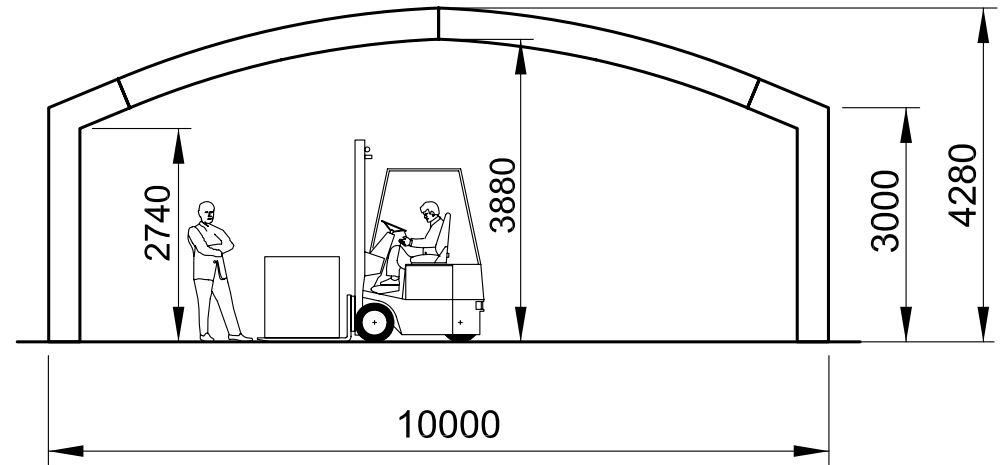


LÅNGSIDA

12000

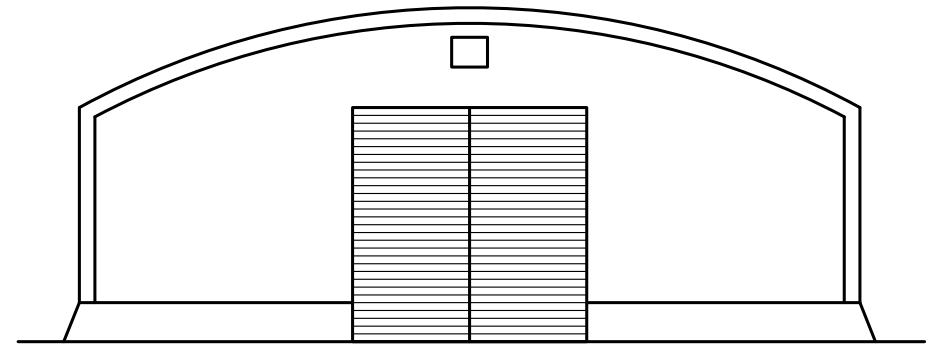


PLAN




SEKTION

10000



GAVEL MED PORT

ISSUE	REVISIONS	SIGN	CHECKED	DATE
PMH UTHYRESHALL 10x12x3		SCALE 1:100		
PLAN, FASADER OCH SEKTION		DRAWN HAM	CONSTR.	
		OUR REF.		
		CHECKED	APPROVED	
		YSTAD 2004-06-10		
		THIS DRAWING WILL REMAIN THE PROPERTY OF PMH AND MUST NOT BE COPIED OR DISCLOSED TO ANY THIRD PARTY WITHOUT WRITTEN CONSENT.		
 PMH INTERNATIONAL AB Sweden		Box 1514 S-271 00 YSTAD Tel. 0411-138 00 Telefax 0411-17413 Box 145 S-182 51 STOCKHOLM Tel. 08-753 33 25 Telefax 08-753 08 02		1012-1
PROJECT NO.		DRAWING NO.		